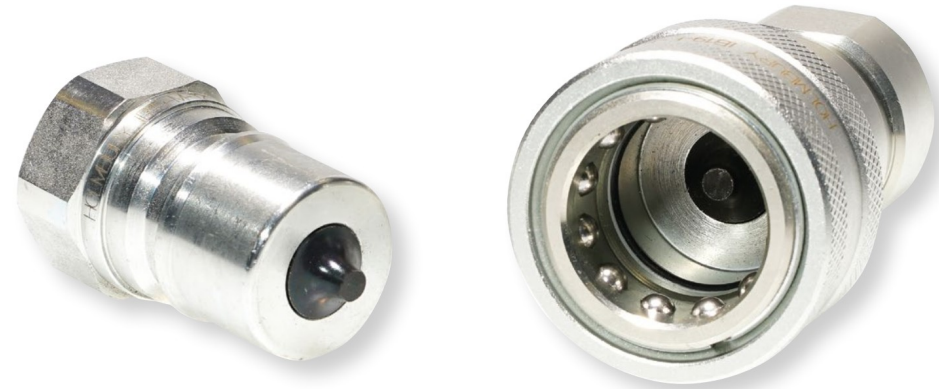


ISO B COUPLINGS

QBM & QBF SERIES

ISO 7241:2014 SERIES B

QUICK-RELEASE (PULL-BREAK) HYDRAULIC COUPLINGS



INTRODUCTION

Fluid Connectors' QBM/QBF Series, ISO B quick-release couplings, are the ideal choice where a tough, durable product of superior quality is required. They are perfectly suited to industrial and agricultural applications. A poppet valve is used to minimise the pressure drop characteristics and provide a positive sealing arrangement.

FEATURES

- ✓ Operating Temperatures (with NBR seals): -40°C to 106°C
- ✓ Positive, quick connection ensured by the snap-together locking ball system.
- ✓ Poppet valves have balanced springs and calibrated oil flow passages to minimise the pressure drop.
- ✓ Bi-directional Flow
- ✓ Optional zinc nickel plating provides good corrosion resistance (1200 hours with no red rust in salt spray tests)

MATERIALS

Trivalent plated, heat treated carbon steel with nitrile seals. Replacement seal kits for the female coupler are available on request (OR-QBF-...).

FKM seals are available on request.

Zinc-Nickel plating available on request (...ZnNi).

Performance Characteristics	Body Size							
	1/8"	1/4"	3/8"	1/2"	3/4"	1"	1-1/2"	2"
Maximum Working Pressure (Coupled)	500 Bar	400 Bar	350 Bar	300 Bar	300 Bar	280 Bar	170 Bar	100 Bar
	7250 PSI	5800 PSI	5075 PSI	4350 PSI	4350 PSI	4060 PSI	2465 PSI	1450 PSI
Burst Pressure (Coupled)	2300 Bar	1750 Bar	1500 Bar	1320 Bar	1200 Bar	1150 Bar	700 Bar	500 Bar
	33350 PSI	25375 PSI	21750 PSI	19140 PSI	17400 PSI	16675 PSI	10150 PSI	7250 PSI
Burst Pressure (Male)	1900 Bar	1700 Bar	1500 Bar	1350 Bar	1300 Bar	1060 Bar	750 Bar	600 Bar
	27550 PSI	24650 PSI	21750 PSI	19575 PSI	18850 PSI	15370 PSI	10875 PSI	8700 PSI
Burst Pressure (Female)	1950 Bar	1800 Bar	1550 Bar	1400 Bar	1350 Bar	1100 Bar	800 Bar	700 Bar
	28275 PSI	26100 PSI	22475 PSI	20300 PSI	19575 PSI	15950 PSI	11600 PSI	10150 PSI
Rated Flow	3 L/min	12 L/min	23 L/min	45 L/min	106 L/min	189 L/min	375 L/min	560 L/min
	0.8 GPM	3.2 GPM	6 GPM	12 GPM	28 GPM	50 GPM	99.1 GPM	148 GPM

✓ The right connector
✓ The right price

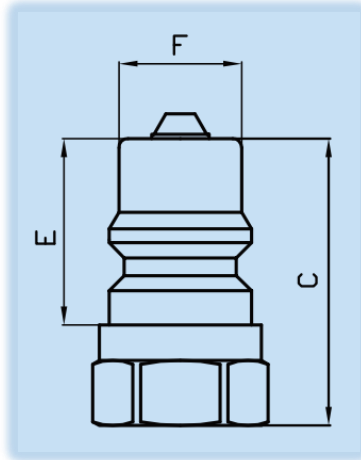
www.fluidconnectors.com

NZ: +64 9 274 4830
AU: +61 8 9244 8266



Dimensions

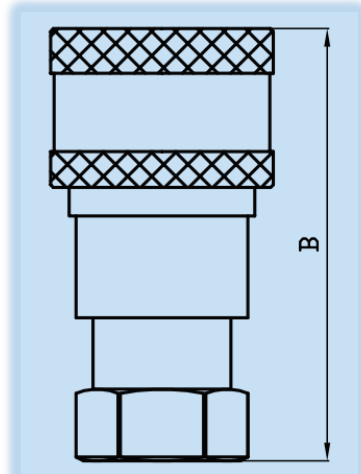
Male Coupler (QBM)



Part Number	Body Size	ØA (Thread)*	C	E	F	AF1 (hex)	L
QBM-BPF-0202	1/8"	1/8" BSPP F	29	15	10.9	14	58.9
QBM-BPF-0404	1/4"	1/4" BSPP F	36	18	14.2	19	73
QBM-BPF-0606	3/8"	3/8" BSPP F	40	21.2	19.1	24	81
QBM-BPF-0808	1/2"	1/2" BSPP F	46.5	23.7	23.5	28.5	93.7
QBM-BPF-1212	3/4"	3/4" BSPP F	56	30.4	31.5	36	113.1
QBM-BPF-1616	1"	1" BSPP F	63	34.5	37.7	41	127
QBM-BPF-2420	1-1/2"	1-1/4" BSPP F	122	48.8	44.5	65	195

*Alternative sizes and threads (NPTF, UN) available on request for both male and female couplers

Female Coupler (QBF)



Part Number	Body Size	ØA (Thread)*	B	ØD	AF2 (hex)	L
QBF-BPF-0202	1/8"	1/8" BSPP F	48	24	17	58.9
QBF-BPF-0404	1/4"	1/4" BSPP F	58	28.5	19	73
QBF-BPF-0606	3/8"	3/8" BSPP F	65	35	24	81
QBF-BPF-0808	1/2"	1/2" BSPP F	74	44.5	28.5	93.7
QBF-BPF-1212	3/4"	3/4" BSPP F	92	54	36	113.1
QBF-BPF-1616	1"	1" BSPP F	103	63.5	41	127
QBF-BPF-2420	1-1/2"	1-1/4" BSPP F	126	73.5	65	195

All dimensions in mm unless otherwise stated. Dimensions shown are for guidance only, if critical contact FC staff.

✓ The right connector
✓ The right price

www.fluidconnectors.com

NZ: +64 9 274 4830
AU: +61 8 9244 8266

